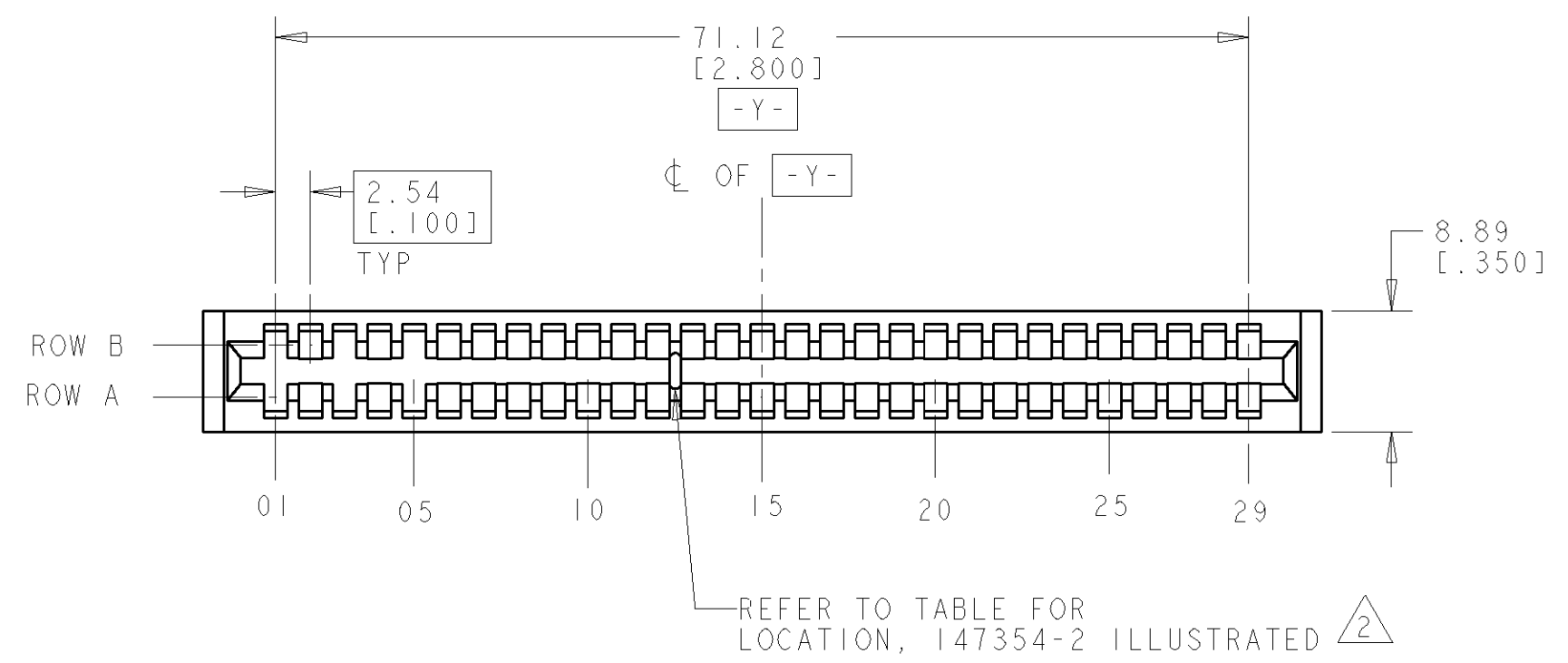
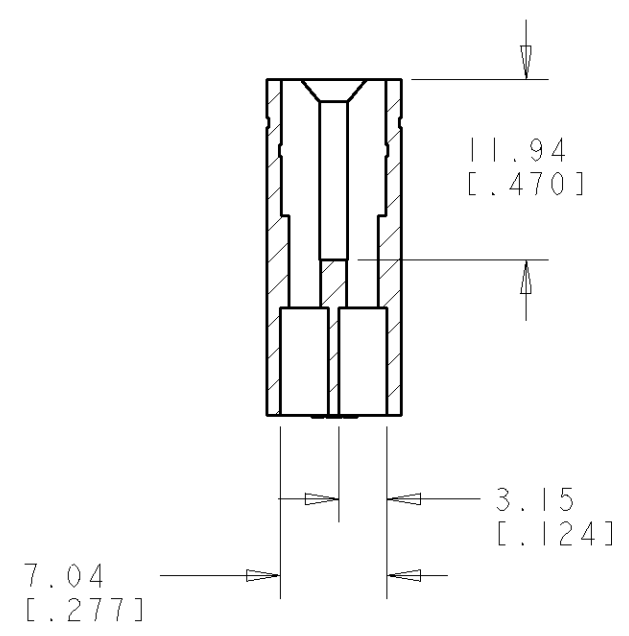
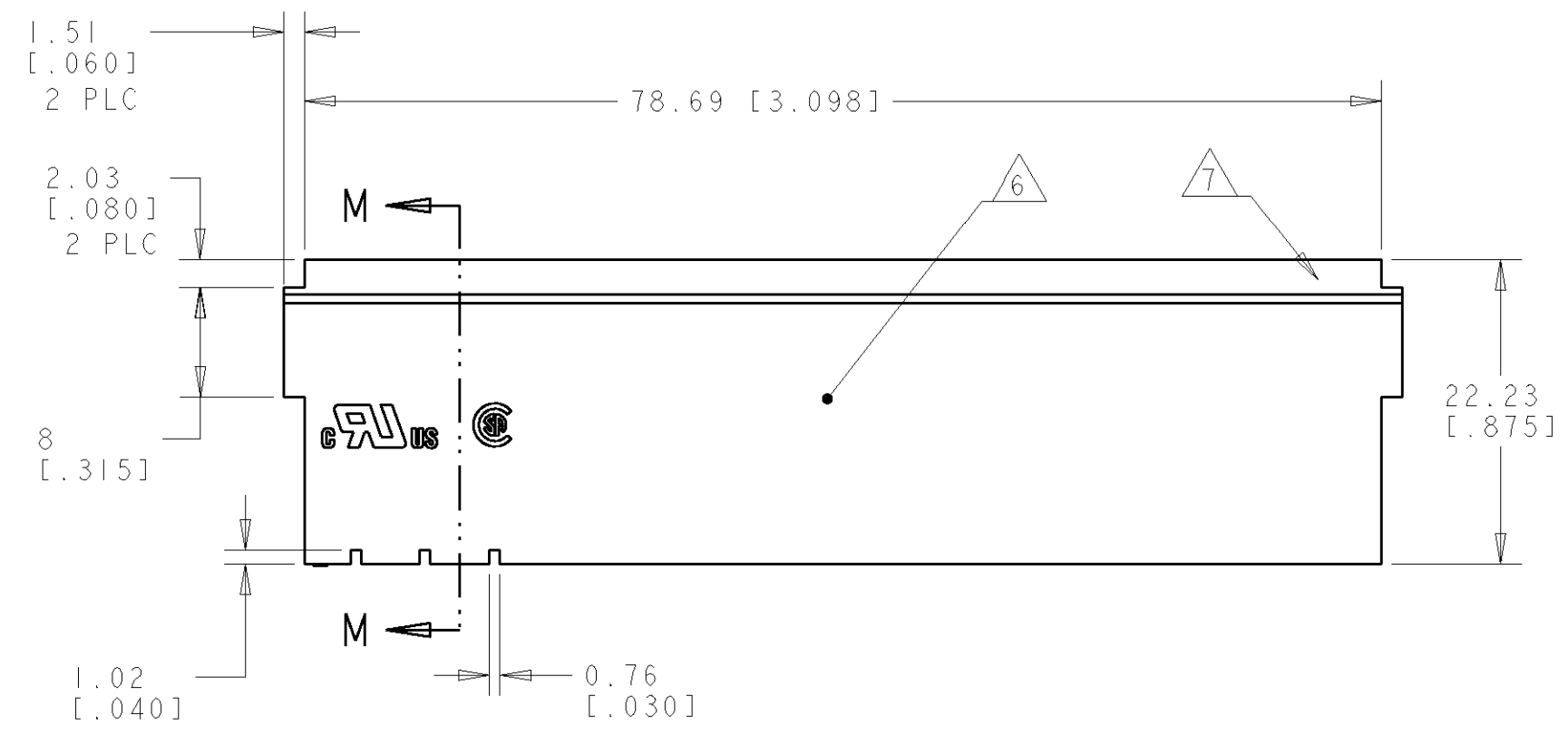


THIS DRAWING IS UNPUBLISHED. RELEASED FOR PUBLICATION 20
 © COPYRIGHT 20 BY TYCO ELECTRONICS CORPORATION. ALL RIGHTS RESERVED.

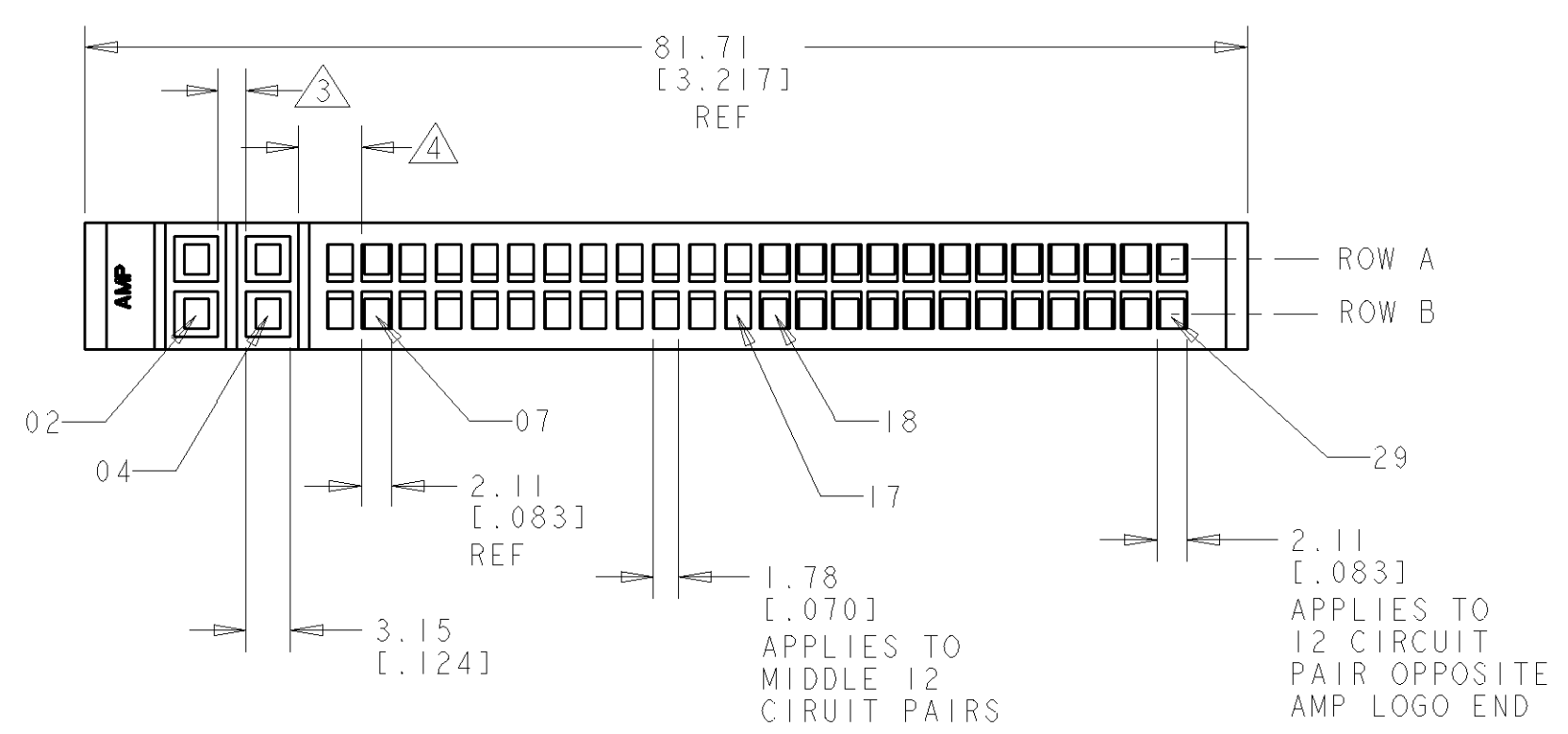
LOC	DIST	REVISIONS					
		P	LTR	DESCRIPTION	DATE	DWN	APVD
AD	00		U	REVISED PER EC 0S1B-0113-01	12NOV2001	DD	NN
			V	ADDED: -13 PER EC 0S1B-0114-01	19NOV2001	DD	NN



- 1. HOUSING MATERIAL: GLASS FILLED POLYESTER, COLOR-BLACK.
- 2. SEE TABLE.
- 3. CREEPAGE DISTANCE = 3.3 [.130].
- 4. CREEPAGE DISTANCE = 6.35 [.250].
- 5. NOT RELEASED FOR PRODUCTION.
- 6. HOUSING PART NUMBER AND DATE CODE MARKED IN THIS AREA ON EITHER SIDE OF HOUSING.
- 7. OPTIONAL PULL GROOVE, SIZE AND LOCATION AT DISCRETION OF AMP.



SECTION M-M



NO OF POSN	PART NUMBER
18, 19	1-147354-3
19, 20	1-147354-2
17, 18	1-147354-1
16, 17	1-147354-0
14, 15	147354-8
13, 14	147354-7
10, 11	147354-6
11, 12	147354-5
8, 9	147354-4
15, 16	147354-3
12, 13	147354-2
9, 10	147354-1

KEY POSITION LOCATED BETWEEN CIRCUITS
 NO OF POSN
 PART NUMBER

THIS DRAWING IS A CONTROLLED DOCUMENT FOR TYCO ELECTRONICS CORPORATION IT IS SUBJECT TO CHANGE AND THE CONTROLLING ENGINEERING ORGANIZATION SHOULD BE CONTACTED FOR THE LATEST REVISION.

DWN B. HAYMAKER 09MAR2000
 CHK R. BENDORE 09MAR2000
 APVD R. BENDORE 09MAR2000

AMP Tyco Electronics
 Harrisburg, PA 17105-3608

NAME HOUSING, CRIMP SNAP TWIN LEAF, .100 CENTERLINE

SIZE A2 CAGE CODE 00779 DRAWING NO 147354 RESTRICTED TO -

CUSTOMER DRAWING SCALE 1:1 SHEET 1 OF 2 REV V

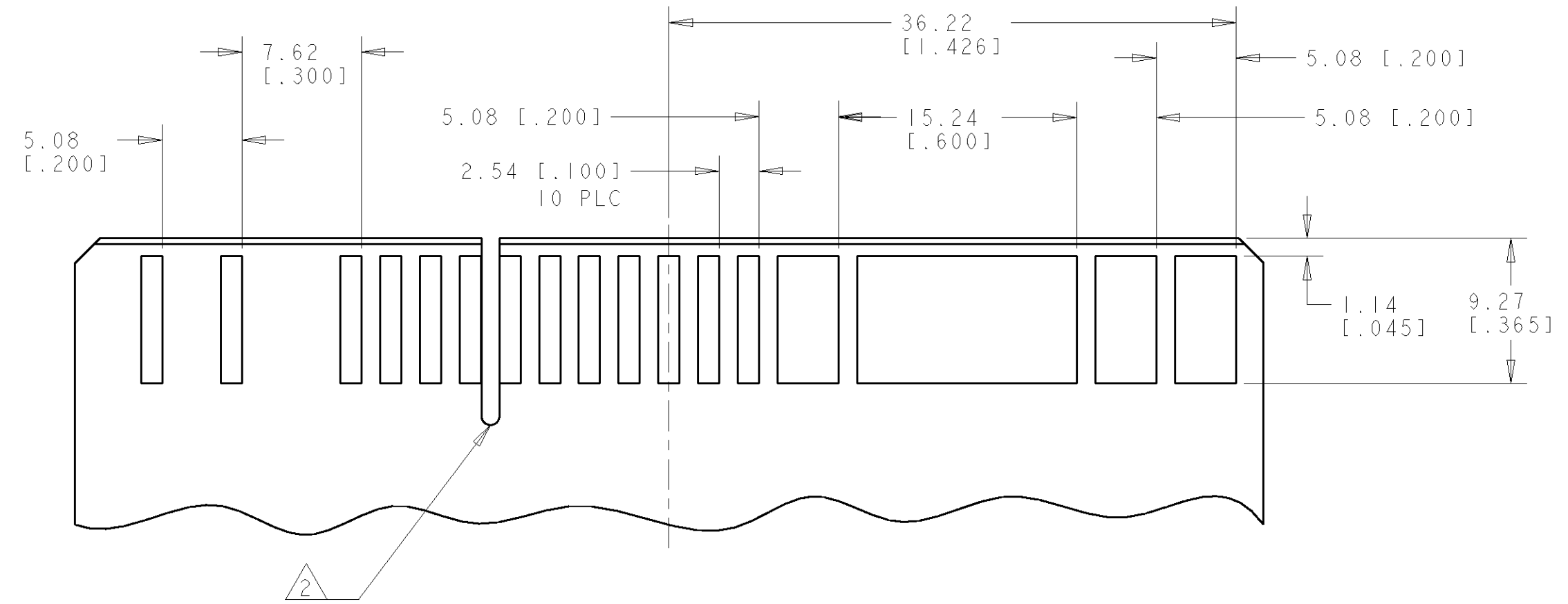
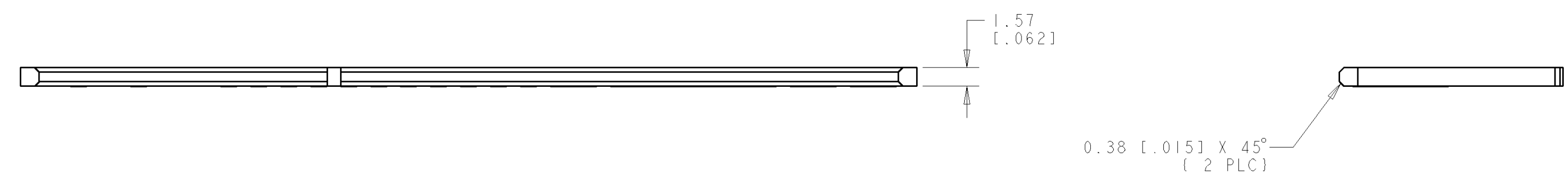
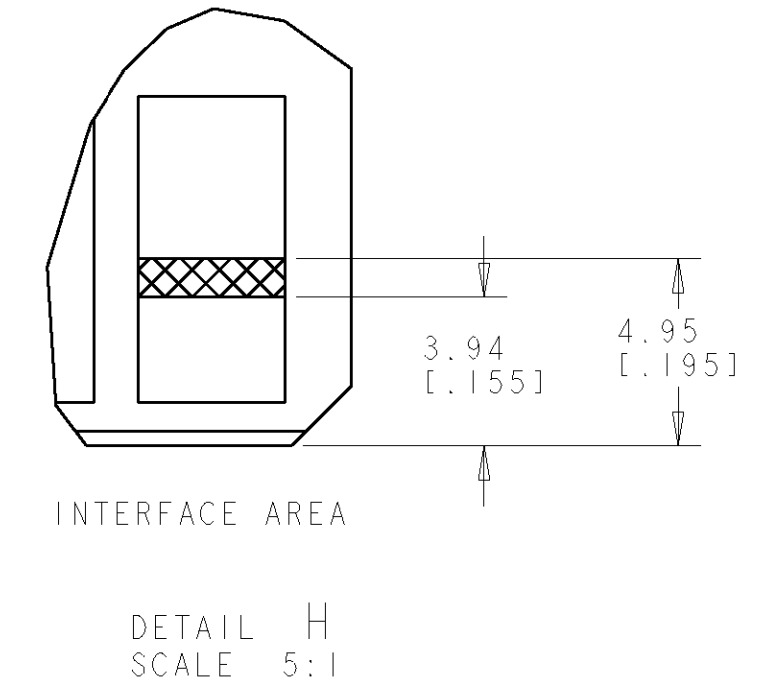
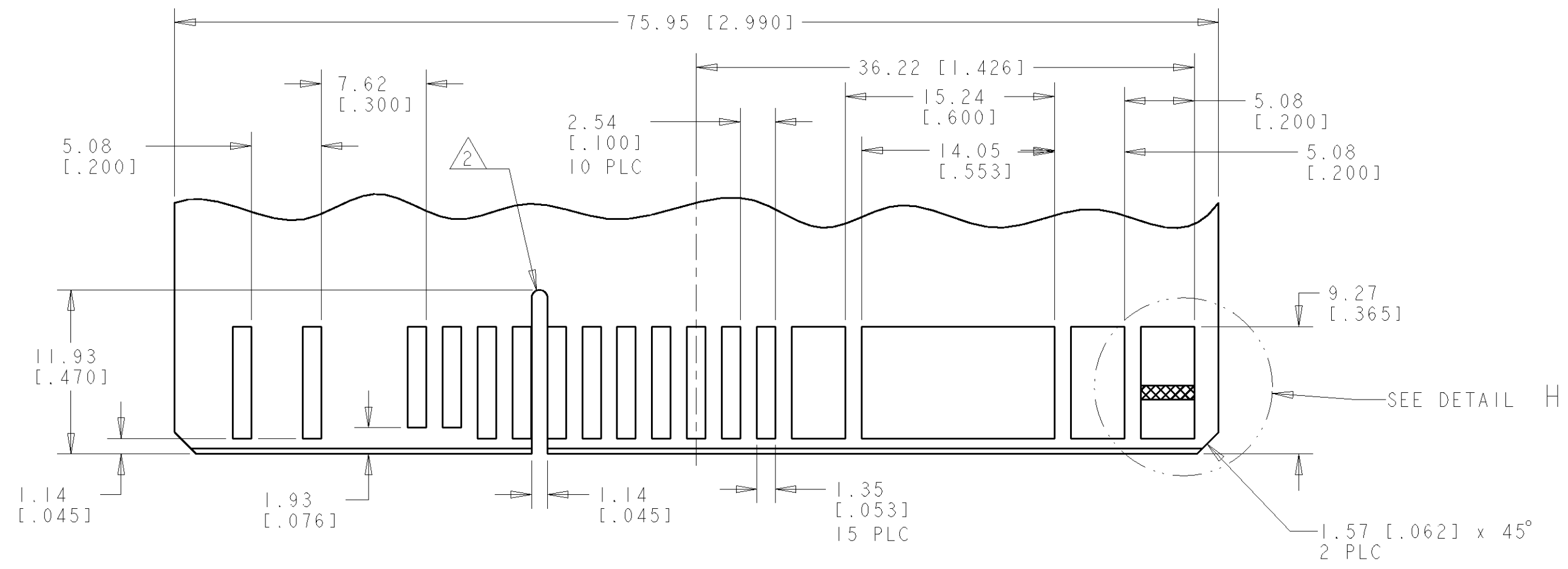
147354

B

A

THIS DRAWING IS UNPUBLISHED. RELEASED FOR PUBLICATION 20
 © COPYRIGHT 20 BY TYCO ELECTRONICS CORPORATION. ALL RIGHTS RESERVED.

LOC	DIST	REVISIONS					
		P	LTR	DESCRIPTION	DATE	DWN	APVD
AD	00		V	SEE SHEET 1	-	-	-



RECOMMENDED ETCHED CIRCUIT

THIS DRAWING IS A CONTROLLED DOCUMENT FOR TYCO ELECTRONICS CORPORATION IT IS SUBJECT TO CHANGE AND THE CONTROLLING ENGINEERING ORGANIZATION SHOULD BE CONTACTED FOR THE LATEST REVISION.		DWN B. HAYMAKER 09MAR2000 CHK R. BENDORE 09MAR2000 APVD R. BENDORE 09MAR2000	AMP Tyco Electronics Harrisburg, PA 17105-3608
DIMENSIONS: mm [INCHES]	TOLERANCES UNLESS OTHERWISE SPECIFIED: 0 PLC ± 1 PLC ± 2 PLC ±0.13 [.005] 3 PLC ± 4 PLC ± ANGLES ± FINISH	NAME HOUSING, CRIMP SNAP TWIN LEAF, .100 CENTERLINE PRODUCT SPEC - APPLICATION SPEC - WEIGHT -	SIZE A2 CAGE CODE 00779 DRAWING NO. 147354 RESTRICTED TO - SCALE 3:1 SHEET 2 OF 2 REV V
MATERIAL -		CUSTOMER DRAWING	